

# ARCHWAY

BAR STOOL - G73B  
COUNTER STOOL - G73C



**Design:** Mark Daniel, 2021

**Materials:** Powder coated steel, 100% polyester upholstery,

**Upholstery:** Series 2 & 3 fabric, Martindale count exceeds 100K

**Certifications:** Meets or exceeds ANSI/BIFMA X5.1. Meets or exceeds ANSI/BIFMA M7.1 VOC emissions standards for office furniture.

**Care & Cleaning:** Clean and dust with a damp cloth.

**Warranty:** 3 years

**FINISH OPTIONS:**



black PC  
charcoal  
gray fabric



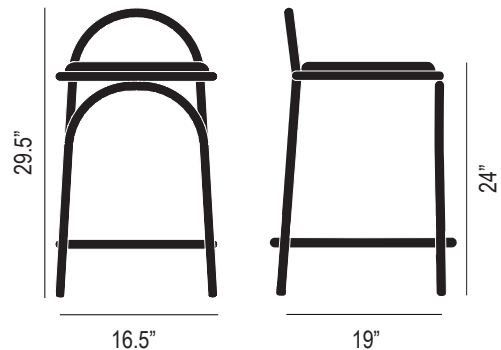
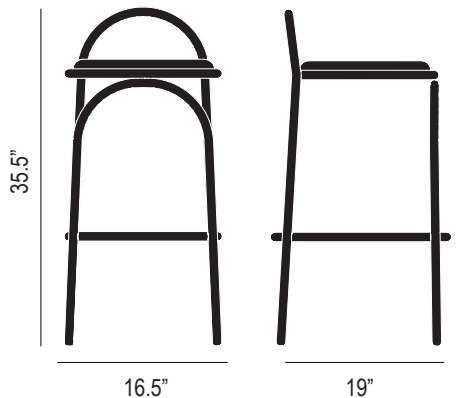
dark blue PC  
dark blue  
fabric



terra cotta PC  
terra cotta  
fabric



white PC  
white PU



**Weight:** Bar stool 19.6 lbs, Counter stool 17.8 lbs

**Packaging:** Double walled cardboard, internal blocking.

Bar stool 20.5"W x 18.5"H x 37"D, Counter stool 20.5"W x 18.1"H x 31"D

Pieces per box: 2

**Assembly:** None

**Duty Code:** 9401.71.00.11

**Made in:** China

**Lead time:** 3 - 5 business days (stocked quickship product), backorders & special orders 4 - 6 weeks + transit