

FULLERTON

BAR STOOL - G51B
COUNTER STOOL - G51C



Design: Mark Daniel, 2018

Materials: Powder coated steel, moulded, veneered plywood

Certifications: Meets or exceeds ANSI/BIFMA X5.1. Meets or exceeds ANSI/BIFMA M7.1 VOC emissions standards for office furniture.

Care & Cleaning: Clean and dust with a damp cloth.

Warranty: 3 years

VENEER OPTIONS:



natural ash

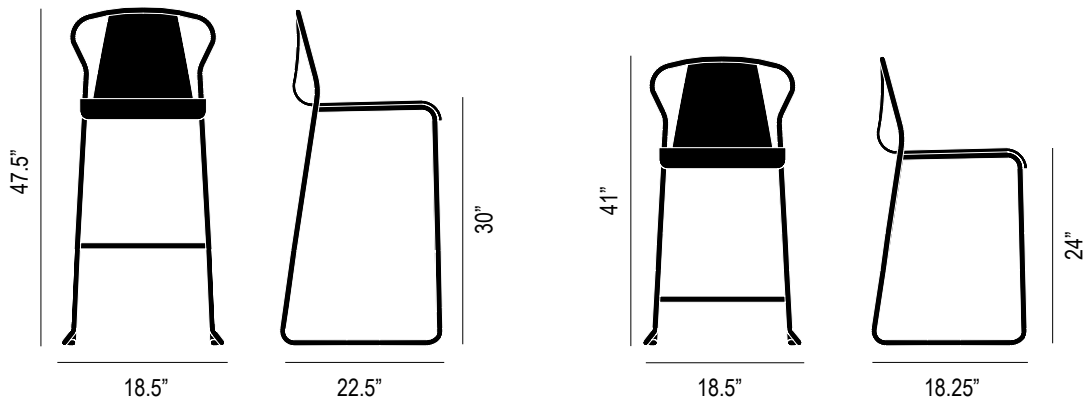


black ash

POWDER COAT OPTIONS:



black



Weight: Bar stool 16.8 lbs, Counter stool 15.4 lbs

Packaging: Double walled cardboard, internal blocking.

Bar stool 25.6"W x 44"H x 20.9"D, Counter stool 25.6"W x 38.2"H x 20.9"D

Pieces per box: 2

Assembly: None

Duty Code: 9401.79.00.46

Made in: China

Lead time: 3 - 5 business days (stocked quickship product), backorders & special orders 4 - 6 weeks + transit