

PIPER

LOUNGE - G77



Design: Amanda Ip, 2023

Materials: Powder coated steel, 50% recycled polyester / 50% polyester upholstery, PU foam

Upholstery: Kayto recycled fabric, Martindale count exceeds 80K

COM Requirement: 2.7 sq yds

Certifications: Meets or exceeds ANSI/BIFMA X5.4. Meets or exceeds ANSI/BIFMA M7.1 VOC emissions standards for office furniture.

Care & Cleaning: Clean and dust legs with a damp cloth. Gently blot spills on upholstery and clean with a specialty fabric cleaner.

Warranty: 3 years

FINISH OPTIONS:



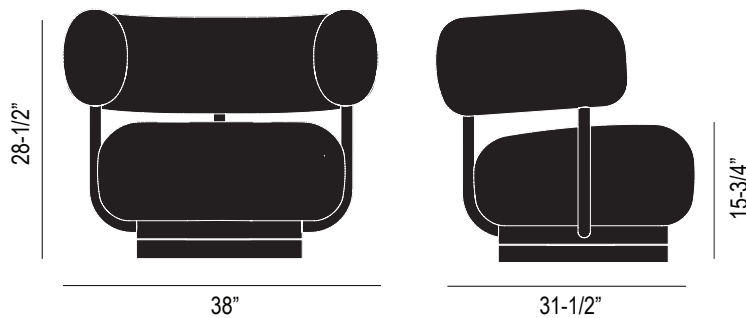
black PC
forest fabric



black PC
mustard fabric



black PC
dune fabric



Weight: 61.3 lbs

Packaging: Double walled cardboard, internal blocking, 38.6"W x 29.5"H x 31.9"D

Pieces per box: 1

Assembly: None

Duty Code: 9401.71.00.11

Made in: China

Lead time: 3 - 5 business days (stocked quickship product), backorders & special orders 4 - 6 weeks + transit