

ZAG

BAR STOOL - G54B
COUNTER STOOL - G54C



Design: Amanda Ip, 2018

Materials: Powder coated steel, moulded plywood, 100% polyester upholstery

Upholstery: Series 3 fabric, Martindale count exceeds 100K

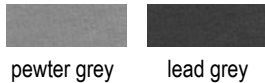
COM Requirement: .72 sq yds

Certifications: Meets or exceeds ANSI/BIFMA X5.1. Meets or exceeds ANSI/BIFMA M7.1 VOC emissions standards for office furniture.

Care & Cleaning: Clean and dust legs with a damp cloth. Gently blot spills on upholstery and clean with a specialty fabric cleaner.

Warranty: 3 years

FABRIC OPTIONS:



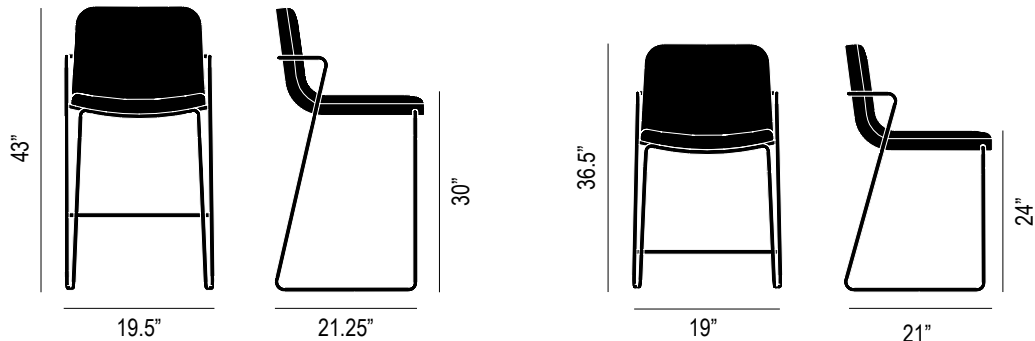
pewter grey

lead grey

POWDER COAT OPTIONS:



black



Weight: Bar stool 22.5 lbs, Counter stool 21.5 lbs

Packaging: Double walled cardboard, internal blocking.

Bar stool 22"W x 42.5"H x 19"D, Counter stool 22"W x 35.8"H x 19"D

Pieces per box: 4

Assembly: None

Duty Code: 9401.71.00.11

Made in: China

Lead time: 3 - 5 business days (stocked quickship product), backorders & special orders 4 - 6 weeks + transit