

# DELTA

CAFE TABLE - G50T

BAR TABLE - G50BT



**Design:** Amy Quinn, 2017

**Materials:** Powder coated steel legs, veneered plywood tabletop

**Certifications:** Meets or exceeds ANSI/BIFMA X5.5. Meets or exceeds ANSI/BIFMA M7.1 VOC emissions standards for office furniture.

**Care & Cleaning:** Clean and dust with a damp cloth.

**Warranty:** 3 years

**VENEER OPTIONS:**



natural ash

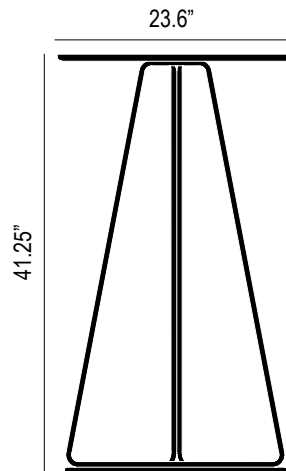
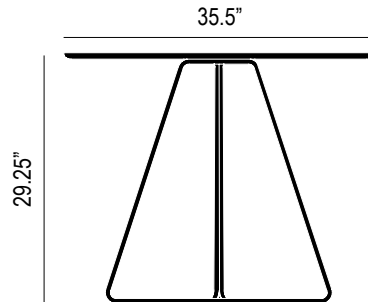


walnut

**POWDER COAT OPTIONS:**



black



**Weight:** Cafe table 46.3 lbs, Bar table 28.5

**Packaging:** Double walled cardboard, internal blocking.

Cafe table Box 1: 22.8"W x 33.5"H x 20.5"D Box 2: 37"W x 2.4"H x 37"D

Bar table Box 1: 23.3"W x 47.6"H x 21.5"D Box 2: 25.2"W x 2.4"H x 25.2"D

**Pieces per box:** 1

**Assembly:** Simple assembly required

**Duty Code:** 9403.40.90.80

**Made in:** China

**Lead time:** 3 - 5 business days (stocked quickship product), backorders & special orders 4 - 6 weeks + transit