

# TRANSIT

BAR STOOL - G8B  
COUNTER STOOL - G8C



**Design:** Mark Daniel, 2011

**Materials:** Powder coated steel, moulded, veneered plywood

**Certifications:** Meets or exceeds ANSI/BIFMA X5.1. Meets or exceeds ANSI/BIFMA M7.1 VOC emissions standards for office furniture.

**Care & Cleaning:** Clean and dust with a damp cloth.

**Warranty:** 3 years

## FINISH OPTIONS:



black PC  
walnut



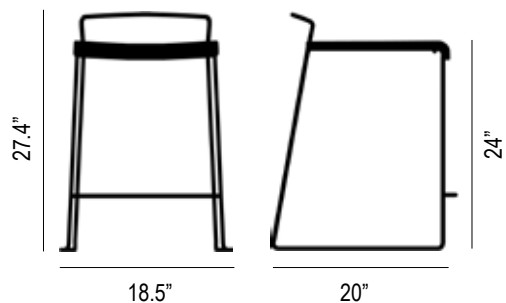
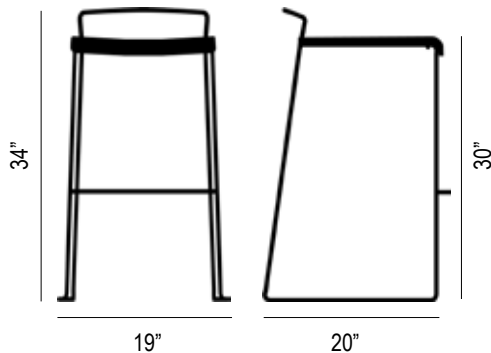
black PC  
black ash



black PC  
natural ash



white PC  
natural ash



**Weight:** Bar stool 15.5 lbs, Counter stool 14.75 lbs

**Packaging:** Double walled cardboard, internal blocking. Bar stool 24.8"W x 40.5"H x 20"D, Counter stool 24"W x 33.5"H x 19.75"D

**Pieces per box:** 4

**Assembly:** None

**Duty Code:** 9401.79.00.46

**Made in:** China

**Lead time:** 3 - 5 business days (stocked quickship product), backorders & special orders 4 - 6 weeks + transit