

# TRANSIT CAFE TABLE G8T



**Design:** Mark Daniel, 2012

**Materials:** Powder coated steel legs, veneered plywood tabletop

**Certifications:** Meets or exceeds ANSI/BIFMA X5.5. Meets or exceeds ANSI/BIFMA M7.1 VOC emissions standards for office furniture.

**Care & Cleaning:** Clean and dust with a damp cloth.

**Warranty:** 3 years

## VENEER OPTIONS:



natural ash

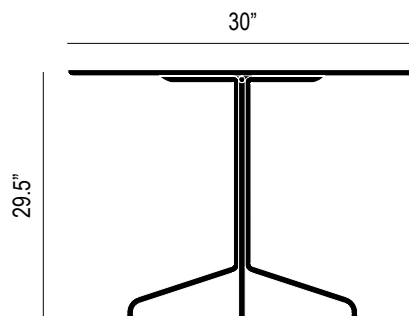


walnut

## POWDER COAT OPTIONS:



black



**Weight:** 52.5 lbs

**Packaging:** Double walled cardboard, internal blocking. Box 1: 31.5"W x 2.5"H x 31.5"D Box 2: 20"W x 30.75"H x 19.75"D

**Pieces per box:** 1

**Assembly:** Simple assembly required

**Duty Code:** 9403.40.90.80

**Made in:** China

**Lead time:** 3 - 5 business days (stocked quickship product), backorders & special orders 4 - 6 weeks + transit